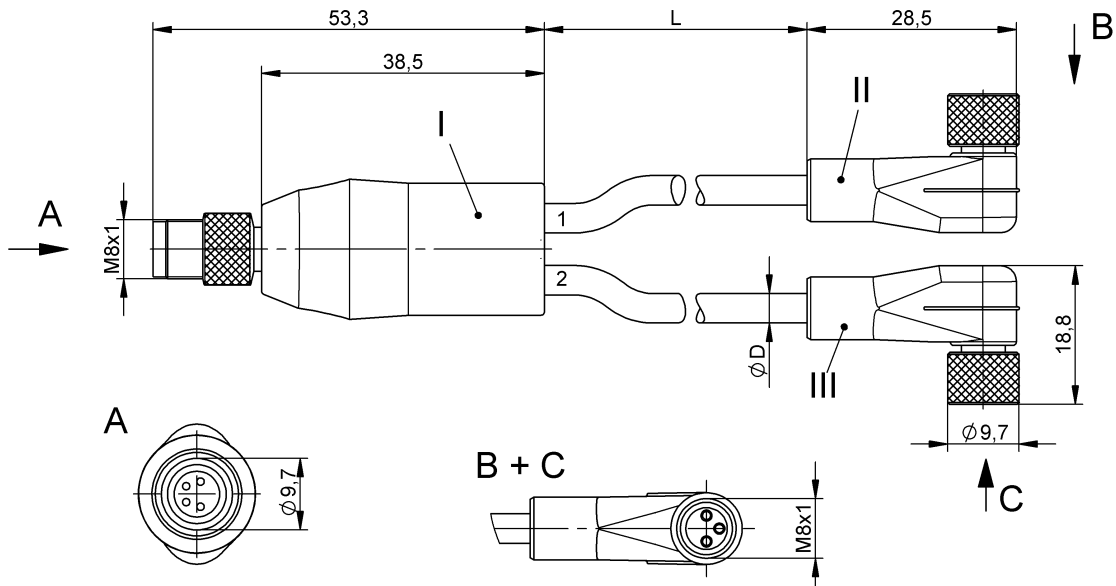


Y-Splitters

BCC W314-W323-W323-U2050-003

Order Code: BCC0EW9

BALLUFF



Basic features

| | |
|---------------------|--------------|
| Application | Welding area |
| Approval/Conformity | CE WEEE |

Electrical connection

| | |
|-------------------------------------|-------------------------------------|
| Bending radius min., fixed cable | 10 x D |
| Bending radius min., flexible cable | 15 x D |
| Cable diameter D | 5.70 mm ±0.25 mm |
| Conductor cross-section | 0.34 mm ² |
| Connection 1 | M8x1-Male, straight, 4-pin, A-coded |
| Connection 2 | M8x1-Female, angled, 3-pin, A-coded |
| Connection 3 | M8x1-Female, angled, 3-pin, A-coded |
| Connector 01, version | straight |
| Connector 02, version | angled |
| Connector 03, version | angled |
| Number of conductors | 4/4 |
| Number of pins | 4/3/3 |
| System | Molded/Molded/Molded |

Electrical data

| | |
|----------------------------------|-----------------|
| Operating voltage U _b | 60 VDC / 60 VAC |
| Rated current (40 °C) | 4.0 A |

Environmental conditions

| | |
|---|----------------|
| Cable temperature UL max., fixed routing | 150 °C |
| Cable temperature UL max., flexible routing | 150 °C |
| Cable temperature, fixed routing | -40...200 °C |
| Cable temperature, flexible routing | -25...200 °C |
| IP rating | IP67/IP67/IP67 |

Material

| | |
|-----------------------------|--|
| Cable jacket material, note | welding spark resistant |
| Cable jacket, material | Silicone |
| Material contact carrier | PUR, special/PUR, special/PUR, special |
| Material contacts | Brass/Bronze/Bronze |
| Material cover nut | Brass PTFE coated/Brass PTFE coated/Brass PTFE coated |
| Material grip | PUR, special/PUR, special/PUR, special |

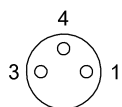
Mechanical data

| | |
|---------------------------|----------------------|
| Cable jacket, color | black |
| Cable length L | 0.30 m |
| Tightening torque pigtail | 0.4 Nm/0.4 Nm/0.4 Nm |

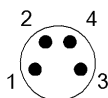
Remarks

Enclosure rating per IEC 60529, only in screwed state with the associated mating piece.
Cable construction acc. to UL-AWM Style 4535
Halogen-free per IEC 60754
Maximum temperature at outer jacket from weld spatter/beads short-time 800°C.

Connector Drawings



II, III



I

Wiring Diagrams

